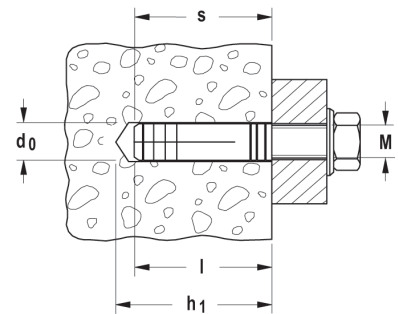


TECHNICAL DATA



Brass fixing **MS** for metric screws



Item	Art.-No.	Drill hole diameter	Min. drill hole depth	Anchor length	Internal thread	Min. bolt penetration	Sales unit
		d_0 [mm]	h_1 [mm]	l [mm]	A1	$l_{E,min}$ [mm]	[pcs]
MS 4 x 15	026424	5	20	15	M 4	15	100
MS 5 x 18	026425	6	25	18	M 5	18	100
MS 6 x 22	078660	8	27	22	M 6	22	100
MS 8 x 28	078981	10	35	28	M 8	28	50
MS 10 x 32	078661	12	39	32	M 10	32	25
MS 12 x 37	078662	15	46	37	M 12	37	10
MS 16 x 43	078663	20	50	43	M 16	43	10

LOADS

Brass fixing MS

Highest recommended loads¹⁾ for a single anchor.

The given loads are valid for metric screws with the specified thread size.

Type		MS 4 x 15	MS 5 x 18	MS 6 x 22	MS 8 x 28	MS 10 x 32	MS 12 x 37	MS 16 x 43
Thread size	[M]	M4	M5	M6	M8	M10	M12	M16
Recommended loads in the respective base material F_{rec}²⁾								
Concrete	$\geq C20/25$ [kN]	0,25	0,40	0,65	1,10	1,60	2,20	3,30
Solid brick	[kN]	0,20	0,35	0,55	0,90	1,30	1,60	2,30

¹⁾ Required safety factors are considered.

²⁾ Valid for tensile load, shear load and oblique load under any angle.